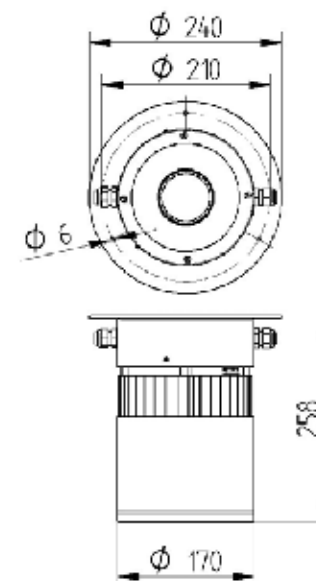


# DLN 170 FORTIMO



Surface mounted IP54 luminaire for Fortimo LED DLM module. Body is made of steel and aluminium. All RAL colours are available.



| Index no.            | Lamp                                    | Weight  |
|----------------------|---|---------|
| 0000-003217.1100/830 | EVG, 1x12W/830, 1100 lm Fortimo LED DLM | 2,55 kg |
| 0000-003217.1100/835 | EVG, 1x11W/835, 1100 lm Fortimo LED DLM | 2,55 kg |
| 0000-003217.1100/840 | EVG, 1x11W/840, 1100 lm Fortimo LED DLM | 2,55 kg |
| 0000-003217.2000/830 | EVG, 1x24W/830, 2000 lm Fortimo LED DLM | 2,55 kg |
| 0000-003217.2000/835 | EVG, 1x23W/835, 2000 lm Fortimo LED DLM | 2,55 kg |
| 0000-003217.2000/840 | EVG, 1x22W/840, 2000 lm Fortimo LED DLM | 2,55 kg |
| 0000-003217.3000/830 | EVG, 1x44W/830, 3000 lm Fortimo LED DLM | 2,55 kg |
| 0000-003217.3000/840 | EVG, 1x41W/840, 3000 lm Fortimo LED DLM | 2,55 kg |

